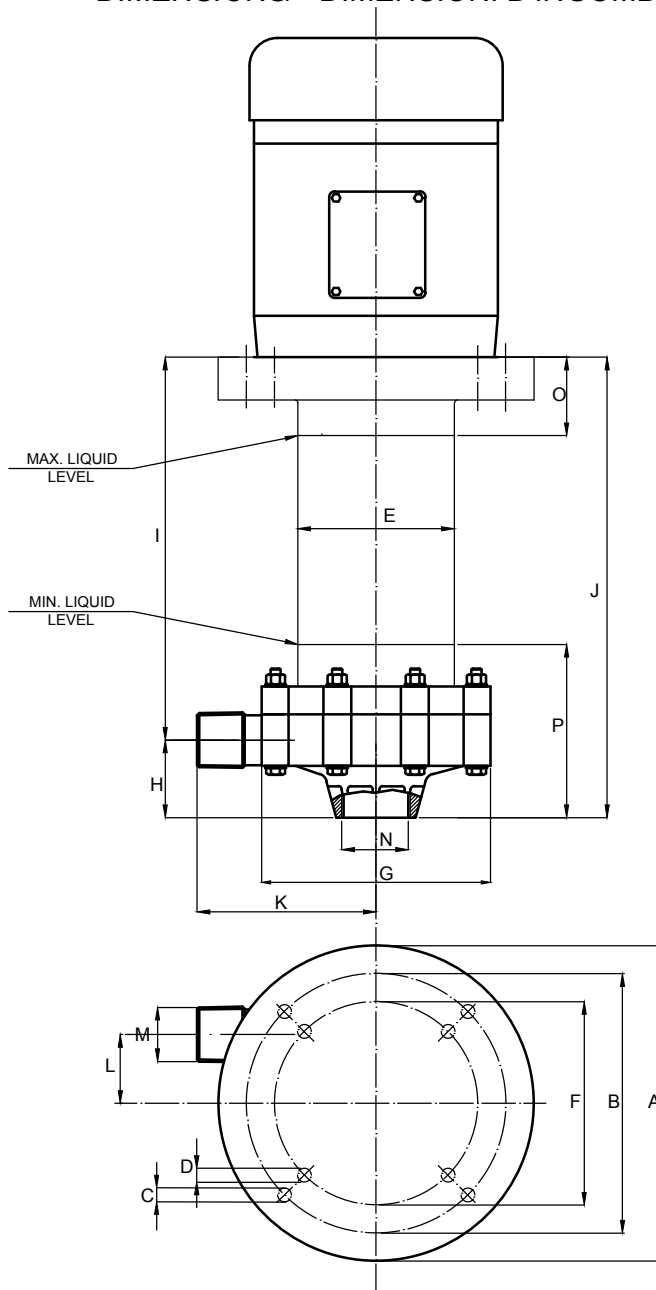


HTM 6-10-15 PP / PVDF
DIMENSIONS/ DIMENSIONI D'INGOMBRO



NOTE:
DIRECTION OF ROTATION IS CLOCKWISE
AS SEEN WHEN FACING THE PUMP CASING.
PUMPS AVAILABLE THREADED OR FLANGED.

THE DIMENSION'S ARE PURE INDICATIVE AND CAN BE
CHANGED WITHOUT PRIOR NOTICE.

PUMP TYPE	MOTOR FLANGE	kW	DIMENSIONS - mm -														
			A	B	C	D	E	F	G	H	I	J	L	M (BSPP)	N (BSPP)	O	P
HTMV 6	71 B5	0.37	220	195	10	10	109	130	142	59	334	393	46	3/4" MALE	1" FEMALE	66	127
HTMV 10	71 B5	0.55	200	180	10	6	109	130	155	70	262	332	46	1" MALE	1 1/2" FEMALE	66	127
HTMV 15	80 B5	1.1	280	250	10.5	8.5	139	165	208	80	265	345	66	1 1/2" MALE	2" FEMALE	66	203
HTMV 15	90 B5	1.5	280	250	10.5	8.5	139	165	208	80	265	345	66	1 1/2" MALE	2" MALE	66	203

9421