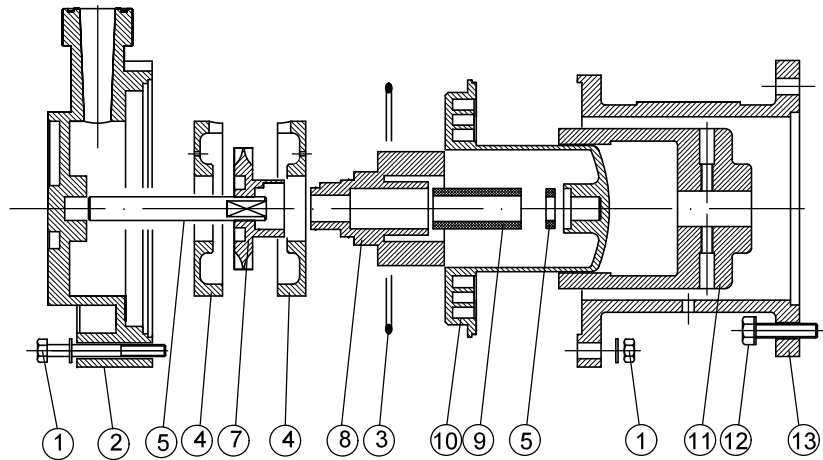


FEATURES/CARATTERISTICHE

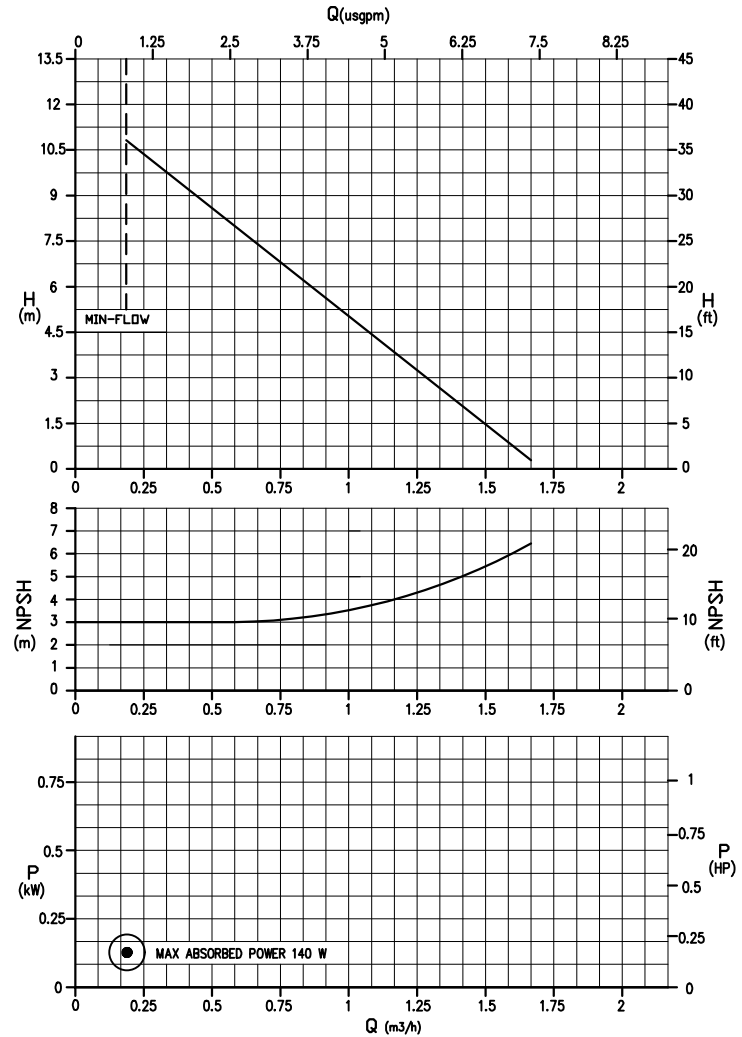
Materials available/Materiali disponibili:	PP-PVDF
Max flow/Portata massima:	1.7m ³ /h
Max head/Prevalenza massima:	10 m
Max temperature/Temperatura massima:	PP 60°C/PVDF 90°C
Max viscosity/Viscosità massima:	45 cPs
Pressure rating/Pressione nominale massima:	NP/PN 6
Pump weight/Peso pompa:	PP 2.8 Kg. PVDF 3.8 Kg.

SECTION AND PARTS LIST/SEZIONE E LISTA PARTI



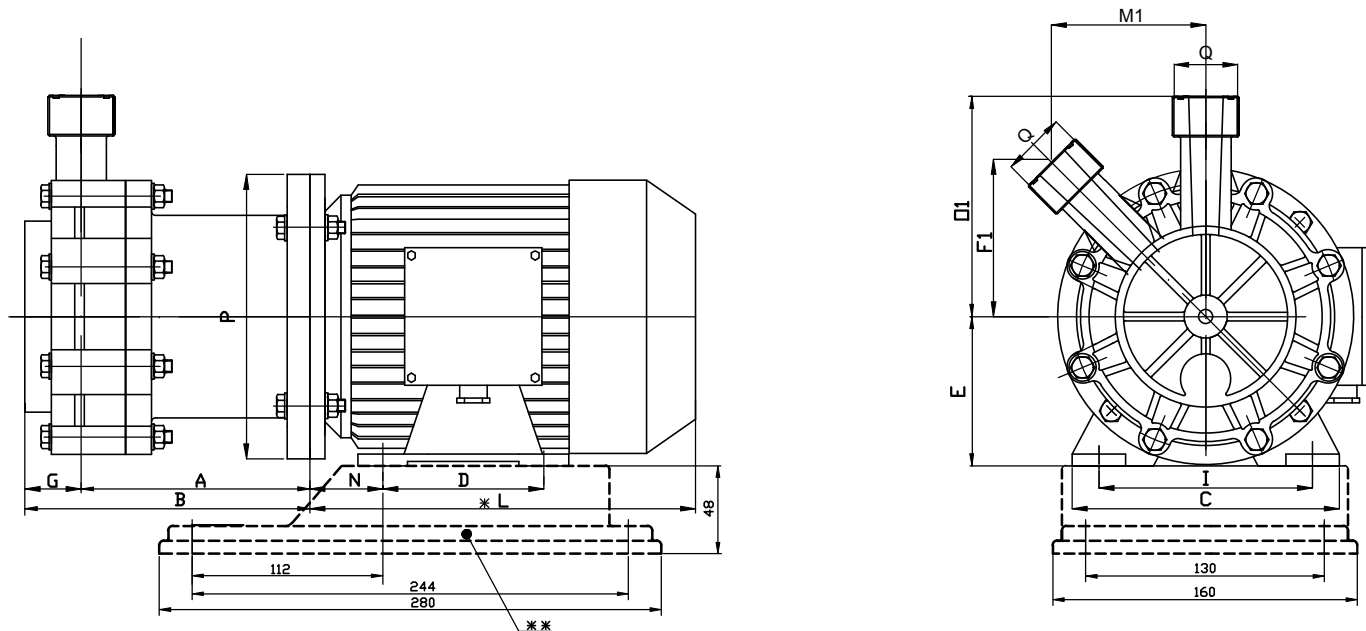
POS.	1	2	3	4	5	7	8	9	10	11	12	13
PART DESCR.	SET SCREWS	FRONT CASING	O-RING	FRONT AND REAR DISC	SHAFT + RING	IMPELLER	INT. MAGNET	BEARING	REAR CASING	EXT. MAGNET	SET SCREWS	BRACKET
MAT.	ALSI304	PP+GF PVDF+CF	EPDM VITON	PP-PVDF	Al203	PVDF	PP-PVDF NdFeB	PTFEC	PP+GF PVDF+CF	C40 NdFeB	ALSI304	PP

CURVES/CURVE 50HZ-2900 RPM



All data stated are an indication and are liable to change without notice / Tutti i dati sono indicativi e possono variare senza preavviso

DIMENSIONS/DIMENSIONI D'INGOMBRO

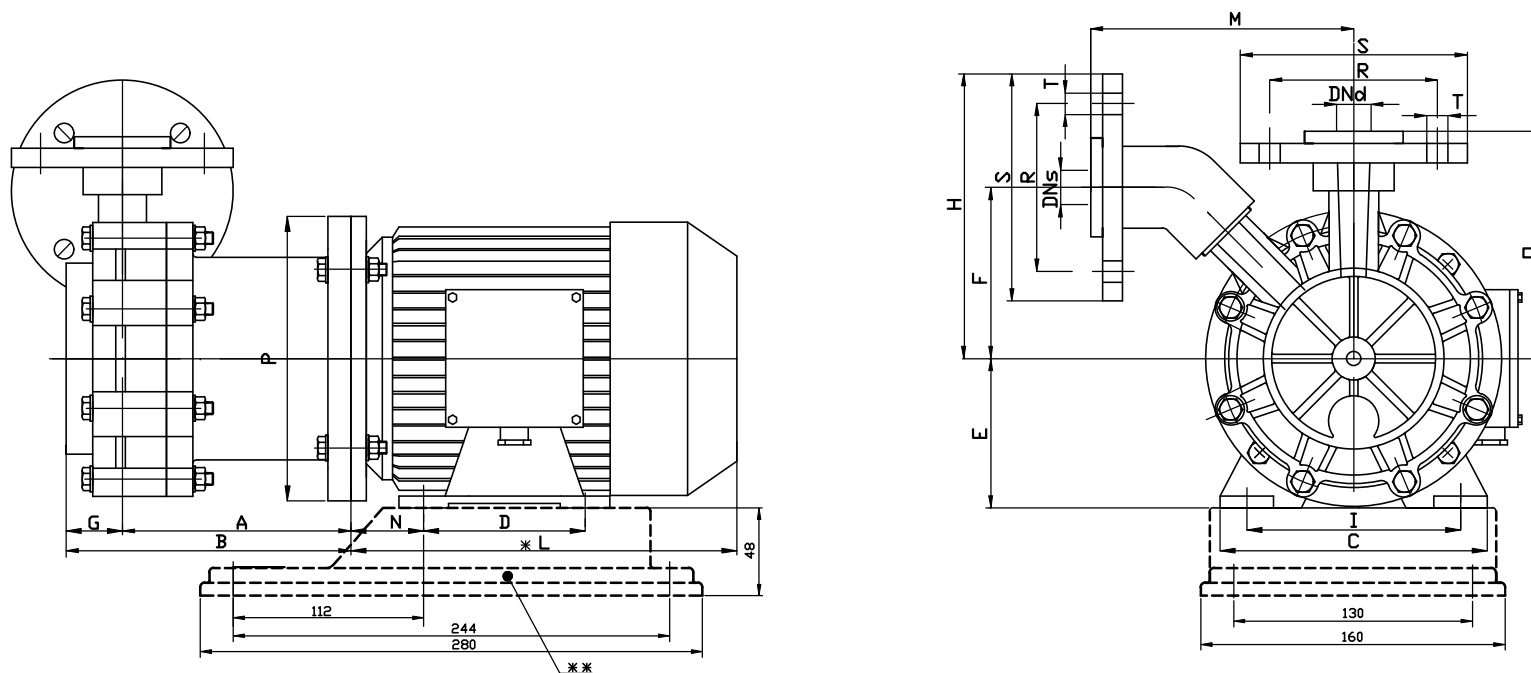


PUMP TYPE	MOTOR FLANGE B3-B5	POT. Kw	DIMENSIONS - mm -												
			A	B	C	D	E	F1	G	*L	M1	N	O1	P	Q
HTT 2000	G 71 2A	0.37	118	146	142	90	71	78	28	192	78	45	110	160	1" MALE

PER CONNESSIONE RIFERIRSI AL DISEGNO 7741
FOR CONNECTION REFER TO DRAWING 7741 BELOW

* Different according to the manufacturer / Diverso a seconda del fornitore
** OPTIONAL: Baseplate/Piede d'appoggio - Flanges/Flange

DIMENSIONS WITH FLANGES/DIMENSIONI D'INGOMBRO CON FLANGE



PUMP TYPE	MOTOR FLANGE B3-B5	POT. Kw	DIMENSIONS - mm -														FLANGES DIN PN 10-DIMENSIONS-mm				
			A	B	C	D	E	F	G	H	I	*L	M	N	O	P	R	S	T	DNs	DNd
HTT 2000	G 71 2A	0.37	118	146	142	90	71	87.5	28	145	112	192	135	45	115	160	85	115	14	25	25

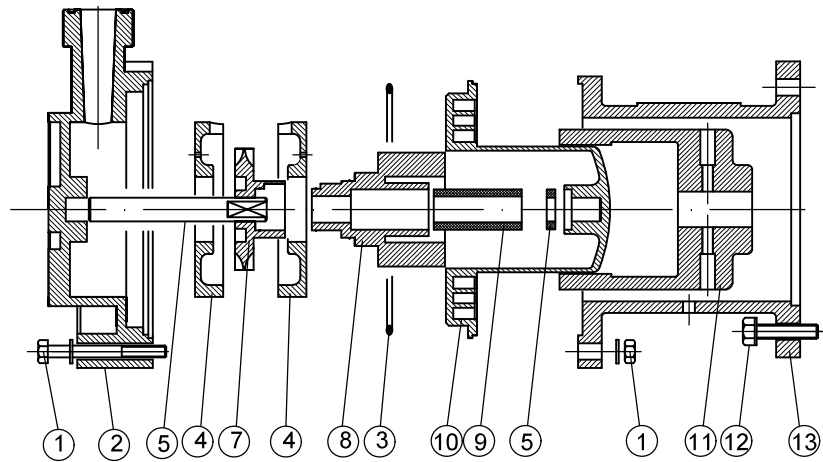
* Different according to the manufacturer / Diverso a seconda del fornitore
 ** OPTIONAL: Baseplate/Piede d'appoggio

PER CONNESSIONE RIFERIRSI AL DISEGNO 7741
 FOR CONNECTION REFER TO DRAWING 7741 BELOW

FEATURES/CARATTERISTICHE

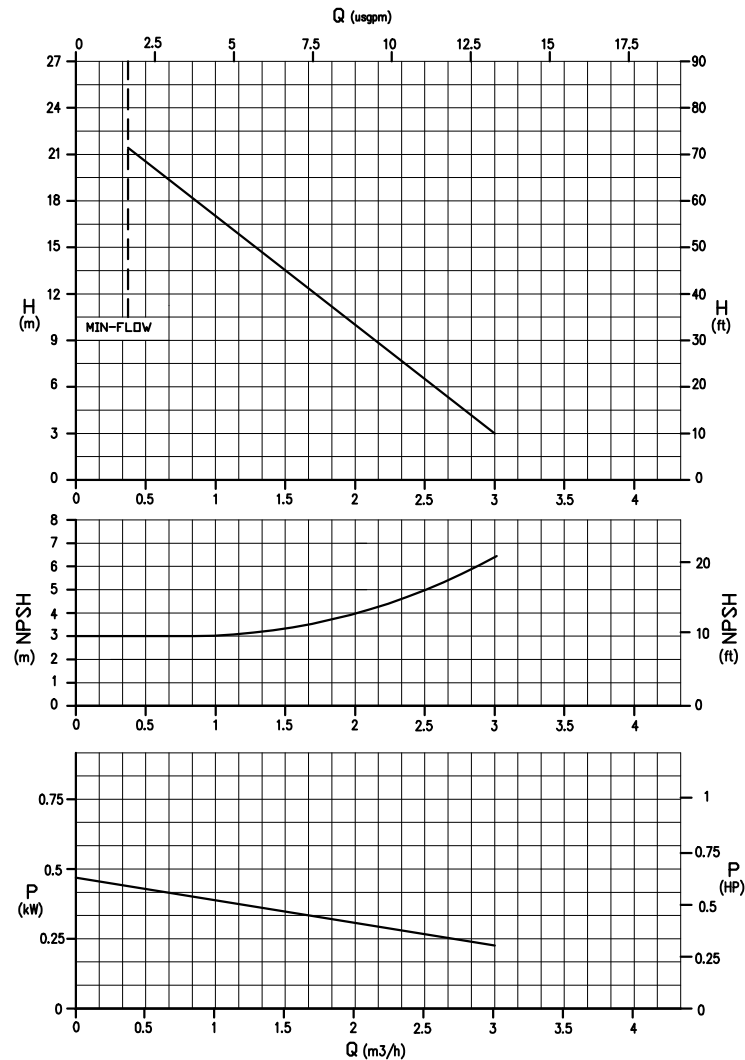
Materials available/Materiali disponibili:	PP-PVDF
Max flow/Portata massima:	3 m ³ /h
Max head/Prevalenza massima:	21 m
Max temperature/Temperatura massima:	PP 60°C/PVDF 90°C
Max viscosity/Viscosità massima:	45 cPs
Pressure rating/Pressione nominale massima:	NP/PN 6
Pump weight/Peso pompa:	PP 2.8 Kg. PVDF 3.8 Kg.

SECTION AND PARTS LIST/SEZIONE E LISTA PARTI



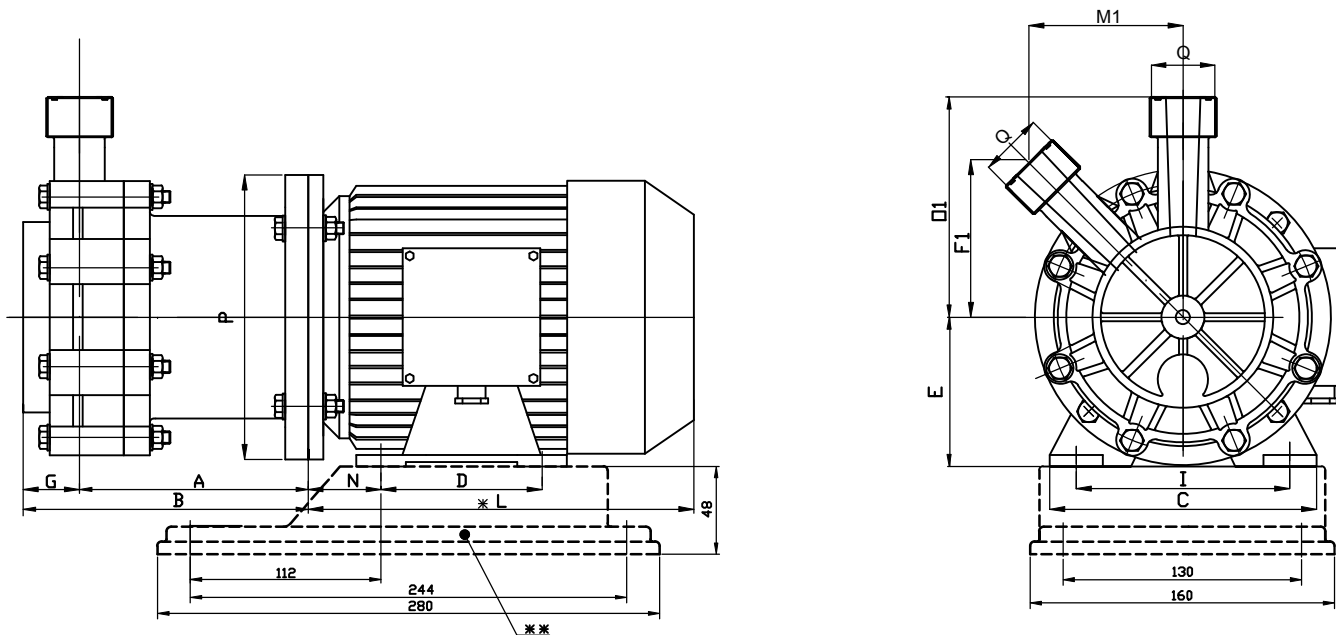
POS.	1	2	3	4	5	7	8	9	10	11	12	13
PART DESCR.	SET SCREWS	FRONT CASING	O-RING	FRONT AND REAR DISC	SHAFT + RING	IMPELLER	INT. MAGNET	BEARING	REAR CASING	EXT. MAGNET	SET SCREWS	BRACKET
MAT.	ALSI304	PP+GF PVDF+CF	EPDM VITON	PP-PVDF	Al203	PVDF	PP-PVDF NdFeB	PTFEC	PP+GF PVDF+CF	C40 NdFeB	ALSI304	PP

CURVES/CURVE 50HZ-2900 RPM



All data stated are an indication and are liable to change without notice / Tutti i dati sono indicativi e possono variare senza preavviso

DIMENSIONS/DIMENSIONI D'INGOMBRO

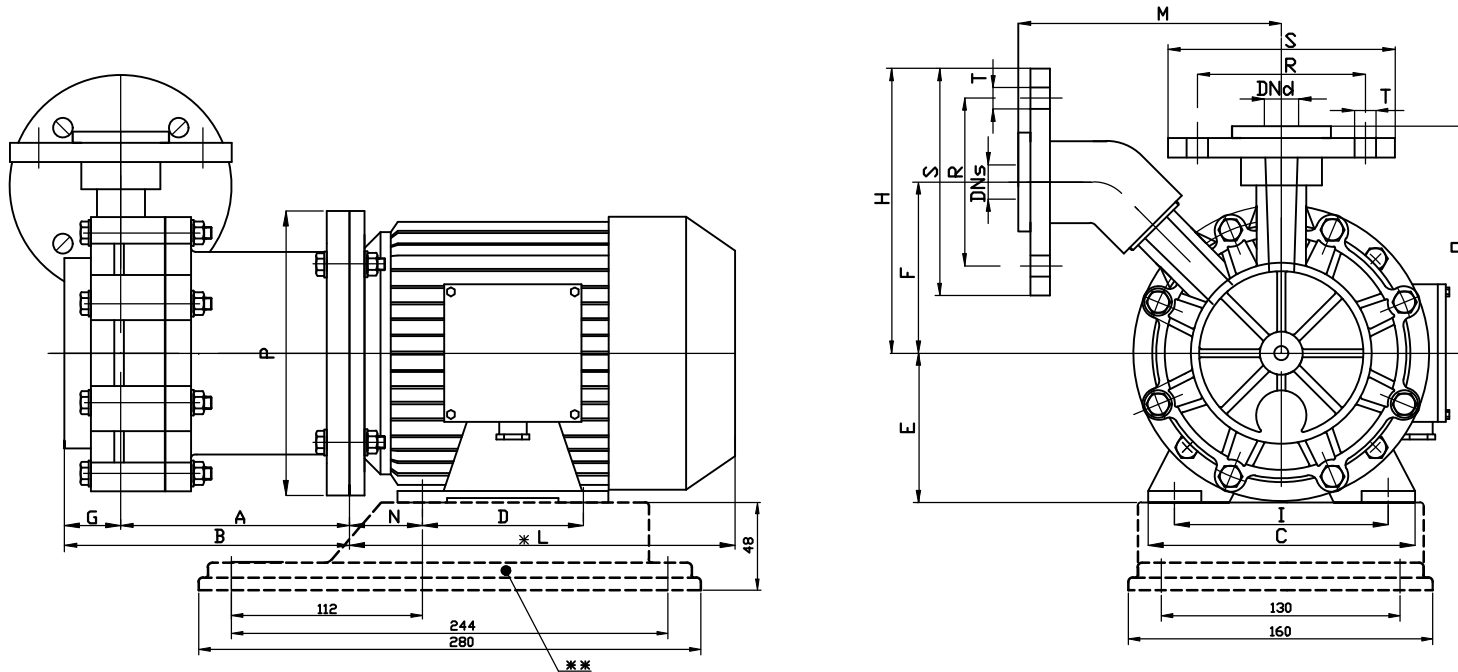


PUMP TYPE	MOTOR FLANGE B3-B5	POT. Kw	DIMENSIONS - mm -													
			A	B	C	D	E	F1	G	I	*L	M1	N	O1	P	Q
HTT 3000	G 71 2A	0.37	118	146	142	90	71	78	28	112	192	78	45	110	160	1"
	G 71 2B	0.55									215					

PER CONNESSIONE RIFERIRSI AL DISEGNO 7741
FOR CONNECTION REFER TO DRAWING 7741 BELOW

* Different according to the manufacturer / Diverso a seconda del fornitore
** OPTIONAL: Baseplate/Piede d'appoggio - Flanges/Flange

DIMENSIONS WITH FLANGES/DIMENSIONI D'INGOMBRO CON FLANGE



PUMP TYPE	MOTOR FLANGE B3-B5	POT. Kw	DIMENSIONS - mm -														FLANGES DIN PN 10-DIMENSIONS-mm				
			A	B	C	D	E	F	G	H	I	*L	M	N	O	P	R	S	T	DN _s	DN _d
HTT 3000	G 71 2A	0.37	118	146	142	90	71	86	28	145	112	192	135	45	115	160	85	115	14	25	25
	G 71 2B	0.55										215									

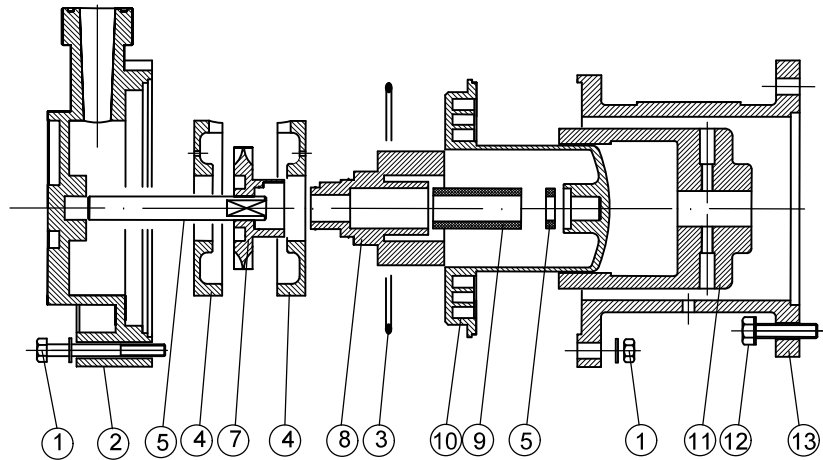
* Different according to the manufacturer / Diverso a seconda del fornitore
** OPTIONAL: Baseplate/Piede d'appoggio

PER CONNESSIONE RIFERIRSI AL DISEGNO 7741
FOR CONNECTION REFER TO DRAWING 7741 BELOW

FEATURES/CARATTERISTICHE

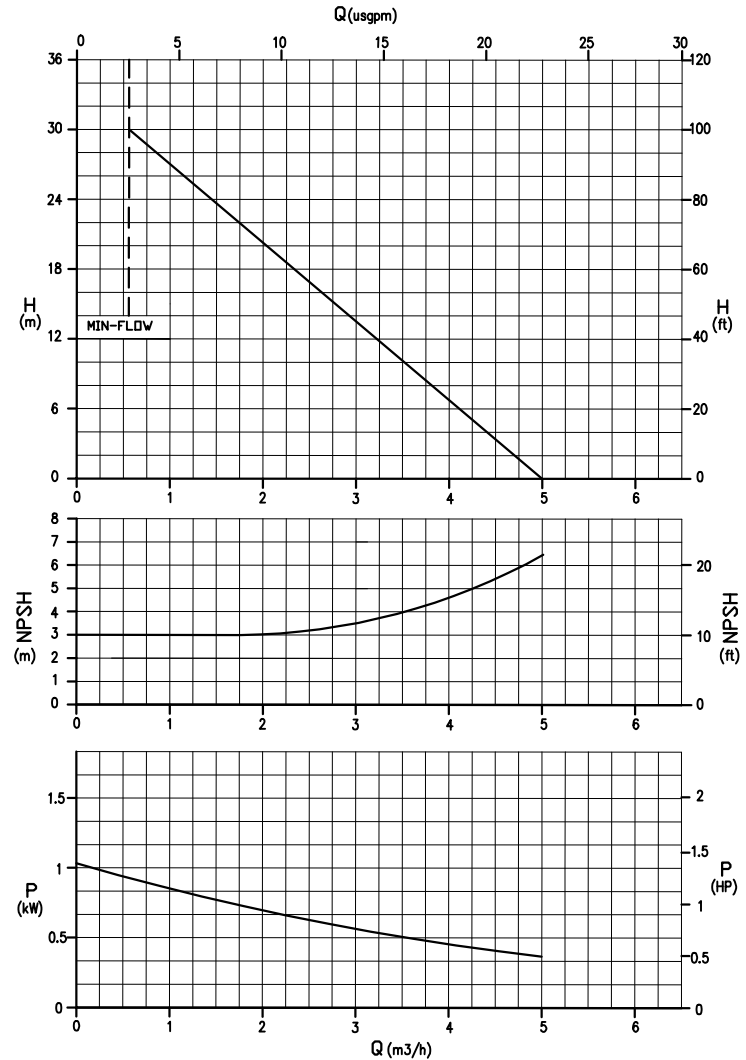
Materials available/Materiali disponibili:	PP-PVDF
Max flow/Portata massima:	5 m ³ /h
Max head/Prevalenza massima:	30 m
Max temperature/Temperatura massima:	PP 60°C/PVDF 90°C
Max viscosity/Viscosità massima:	45 cPs
Pressure rating/Pressione nominale massima:	NP/PN 6
Pump weight/Peso pompa:	PP 8 Kg. PVDF 10 Kg.

SECTION AND PARTS LIST/SEZIONE E LISTA PARTI



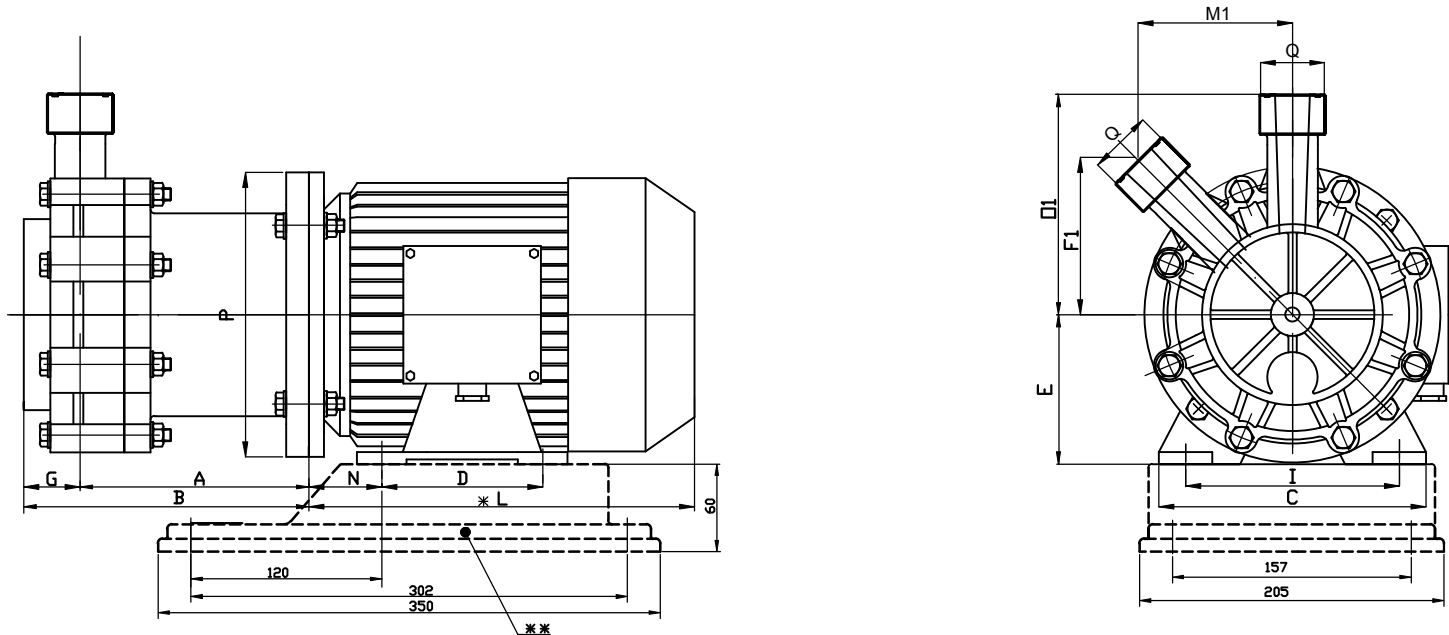
POS.	1	2	3	4	5	7	8	9	10	11	12	13
PART DESCR.	SET SCREWS	FRONT CASING	O-RING	FRONT AND REAR DISC	SHAFT + RING	IMPELLER	INT. MAGNET	BEARING	REAR CASING	EXT. MAGNET	SET SCREWS	BRACKET
MAT.	AISI304	PP+GF PVDF+CF	EPDM VITON	PP-PVDF	Al203	PVDF	PP-PVDF NdFeB	PTFEC	PP+GF PVDF+CF	C40 NdFeB	AISI304	PP

CURVES/CURVE 50HZ-2900 RPM



All data stated are an indication and are liable to change without notice / Tutti i dati sono indicativi e possono variare senza preavviso

DIMENSIONS/DIMENSIONI D'INGOMBRO

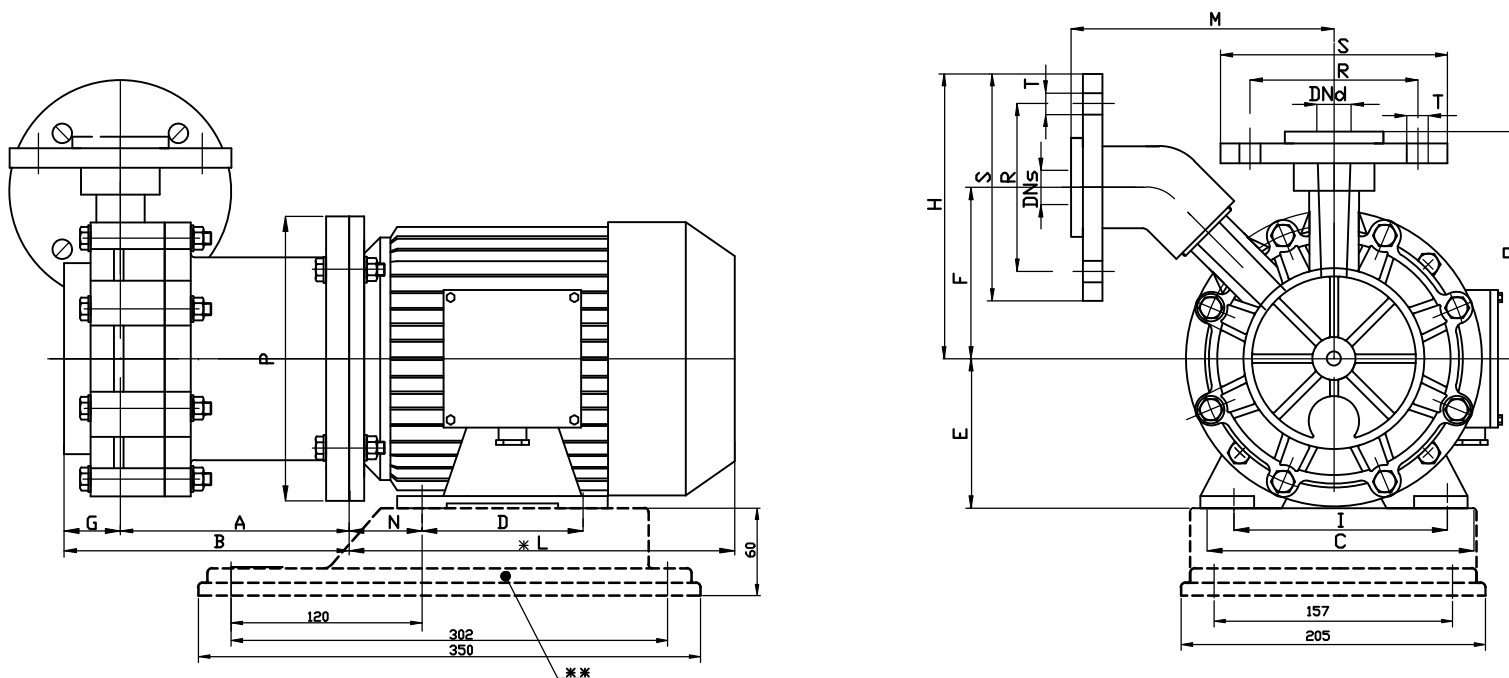


PUMP TYPE	MOTOR FLANGE B3-B5	POT. Kw	DIMENSIONS - mm -													
			A	B	C	D	E	F1	G	I	L	M1	N	O1	P	Q
HTT 5000	G 80 A	0.75	187	221	160	100	80	95	34	125	215	95	50	135	200	1" 1/2" G MALE
	G 80 B	1.1									232					

PER CONNESSIONE RIFERIRSI AL DISEGNO 7741
FOR CONNECTION REFER TO DRAWING 7741 BELOW

* Different according to the manufacturer / Diverso a seconda del fornitore
** OPTIONAL: Baseplate/Piede d'appoggio - Flanges/Flange

DIMENSIONS WITH FLANGES/DIMENSIONI D'INGOMBRO CON FLANGE



PUMP TYPE	MOTOR FLANGE B3-B5	POT. Kw	DIMENSIONS - mm -														FLANGES DIN PN 10-DIMENSIONS-mm				
			A	B	C	D	E	F	G	H	I	*L	M	N	O	P	R	S	T	DNs	DNd
HTT 5000	G 80 A	0.75	187	221	160	100	80	110	34	186	125	215	189	50	148	200	110	153	18	40	40
	G 80 B	1.1										232									

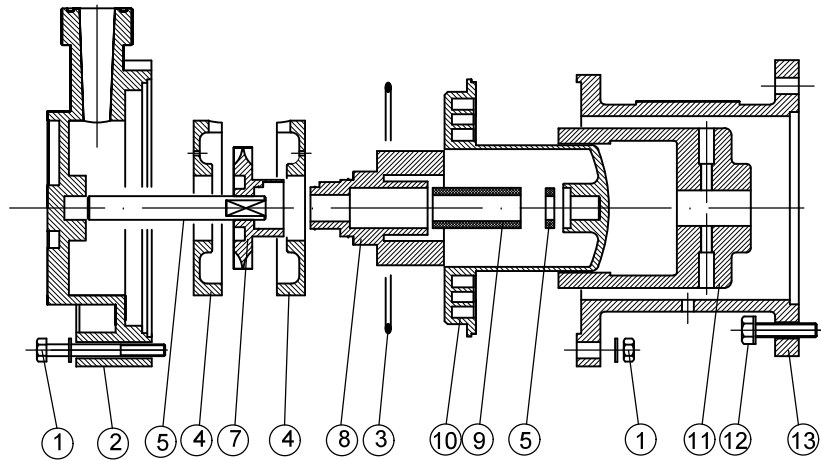
* Different according to the manufacturer / Diverso a seconda del fornitore
 ** OPTIONAL: Baseplate/Piede d'appoggio

PER CONNESSIONE RIFERIRSI AL DISEGNO 7741
 FOR CONNECTION REFER TO DRAWING 7741 BELOW

FEATURES/CARATTERISTICHE

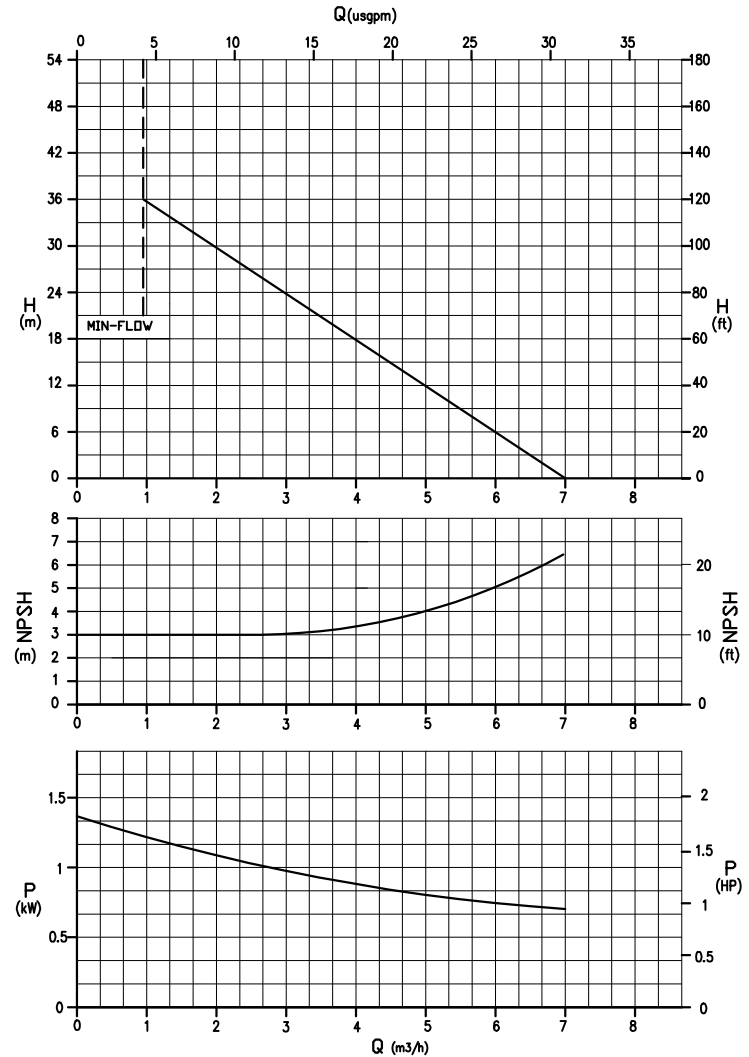
Materials available/Materiali disponibili:	PP-PVDF
Max flow/Portata massima:	7m ³ /h
Max head/Prevalenza massima:	36 m
Max temperature/Temperatura massima:	PP 60°C/PVDF 90°C
Max viscosity/Viscosità massima:	45 cPs
Pressure rating/Pressione nominale massima:	NP/PN 6
Pump weight/Peso pompa:	PP 8 Kg. PVDF 10 Kg.

SECTION AND PARTS LIST/SEZIONE E LISTA PARTI



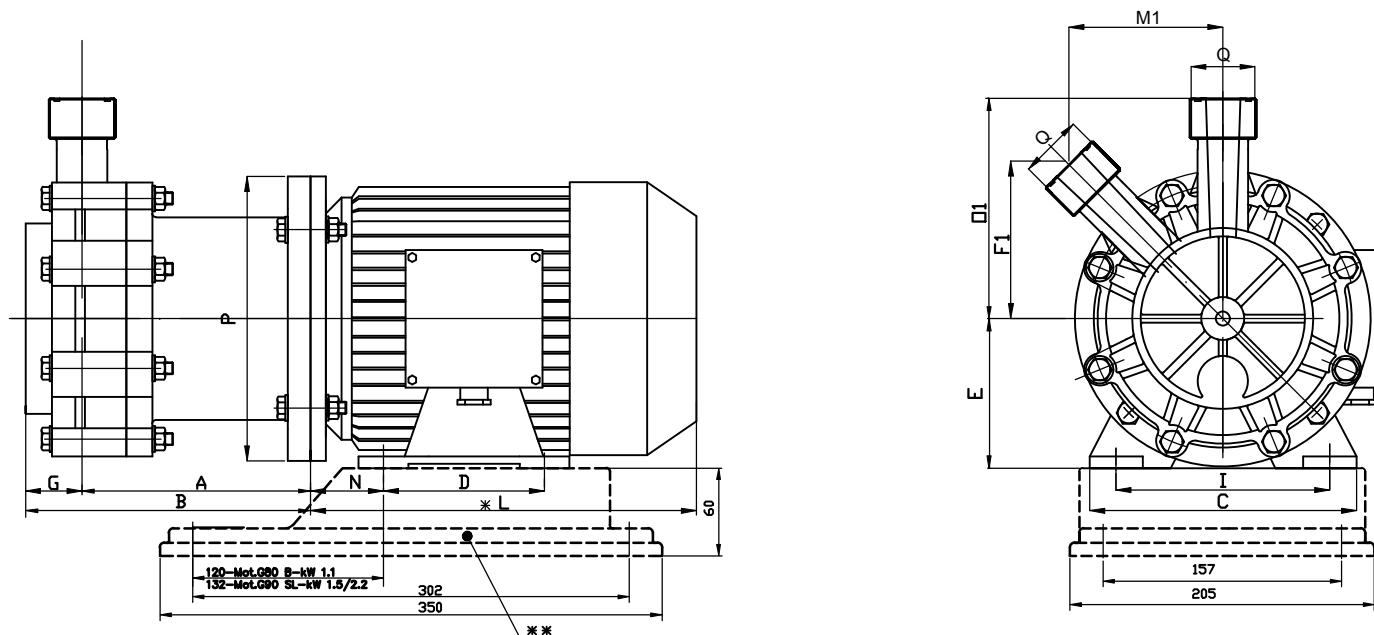
POS.	1	2	3	4	5	7	8	9	10	11	12	13
PART DESCR.	SET SCREWS	FRONT CASING	O-RING	FRONT AND REAR DISC	SHAFT + RING	IMPELLER	INT. MAGNET	BEARING	REAR CASING	EXT. MAGNET	SET SCREWS	BRACKET
MAT.	AISI304	PP+GF PVDF+CF	EPDM VITON	PP-PVDF	Al203	PVDF	PP-PVDF NdFeB	PTFEC	PP+GF PVDF+CF	C40 NdFeB	AISI304	PP

CURVES/CURVE 50HZ-2900 RPM



All data stated are an indication and are liable to change without notice / Tutti i dati sono indicativi e possono variare senza preavviso

DIMENSIONS/DIMENSIONI D'INGOMBRO

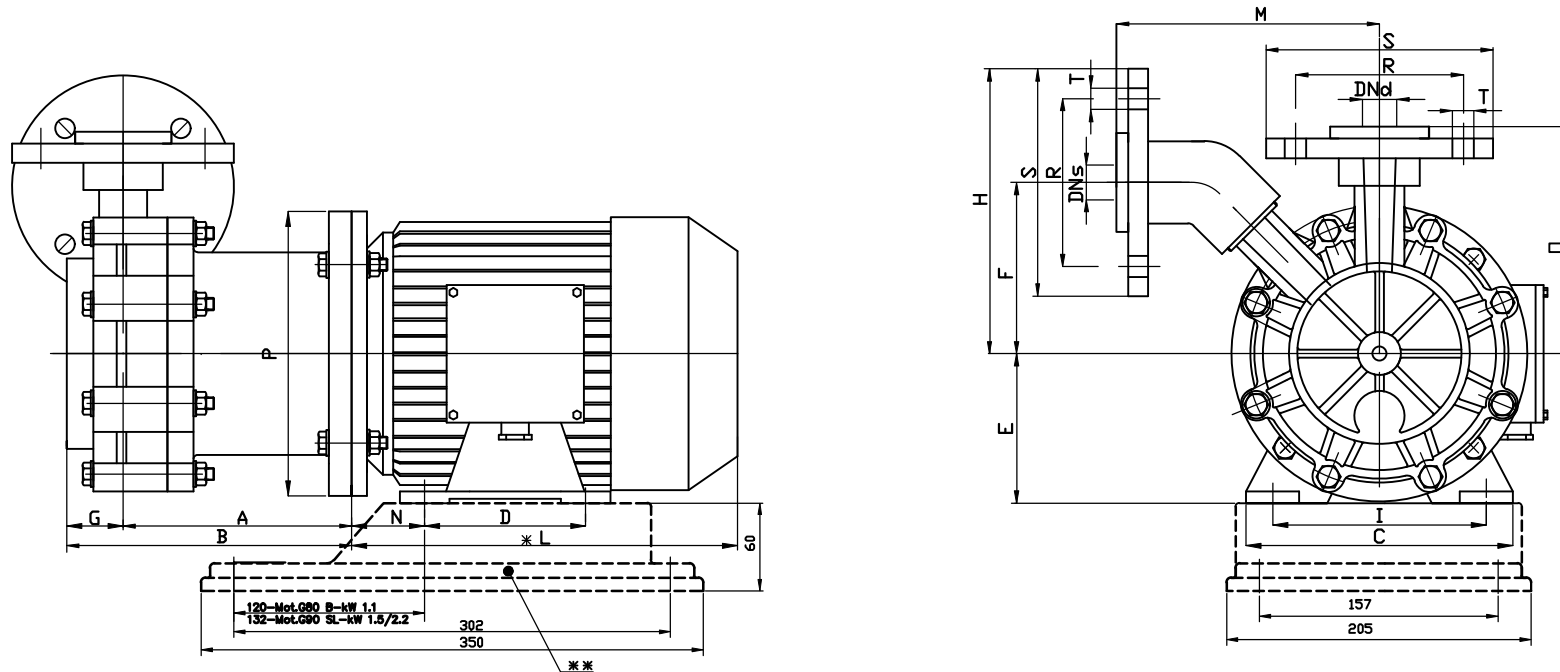


PUMP TYPE	MOTOR FLANGE B3-B5	POT. Kw	DIMENSIONS - mm -													
			A	B	C	D	E	F1	G	I	*L	M1	N	O1	P	Q
HTT 7000	G 80 B	1.1	187	221	160	100	80	95	34	125	232	95	50	135	200	1" 1/2"G MALE
	G 90 S	1.5			170		90				255					
	G 90 L	2.2			125	90	280									

PER CONNESSIONE RIFERIRSI AL DISEGNO 7741
FOR CONNECTION REFER TO DRAWING 7741 BELOW

* Different according to the manufacturer / Diverso a seconda del fornitore
** OPTIONAL: Baseplate/Piede d'appoggio - Flanges/Flange

DIMENSIONS WITH FLANGES/DIMENSIONI D'INGOMBRO CON FLANGE



PUMP TYPE	MOTOR FLANGE B3-B5	POT. Kw	DIMENSIONS - mm -													FLANGES ANSI/ASME B 16.5 #150 (PN10) DIMENSIONS-mm						
			A	B	C	D	E	F	G	H	I	*L	M	N	O	P	R	S	T	DNs	DNd	
HTT 7000	G 80 B	1.1	187	221	160	100	80	110	34	187	125	232	189	50	148	200	110	153	18	40	40	
	G 90 S	1.5			170		90				140	255										56
	G 90 L	2.2			125		280															

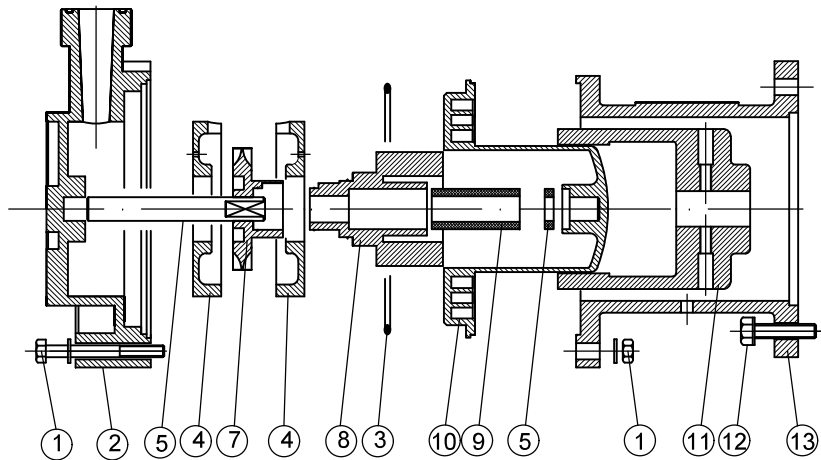
* Different according to the manufacturer / Diverso a seconda del fornitore
** OPTIONAL: Baseplate/Piede d'appoggio

PER CONNESSIONE RIFERIRSI AL DISEGNO 7741
FOR CONNECTION REFER TO DRAWING 7741 BELOW

FEATURES/CARATTERISTICHE

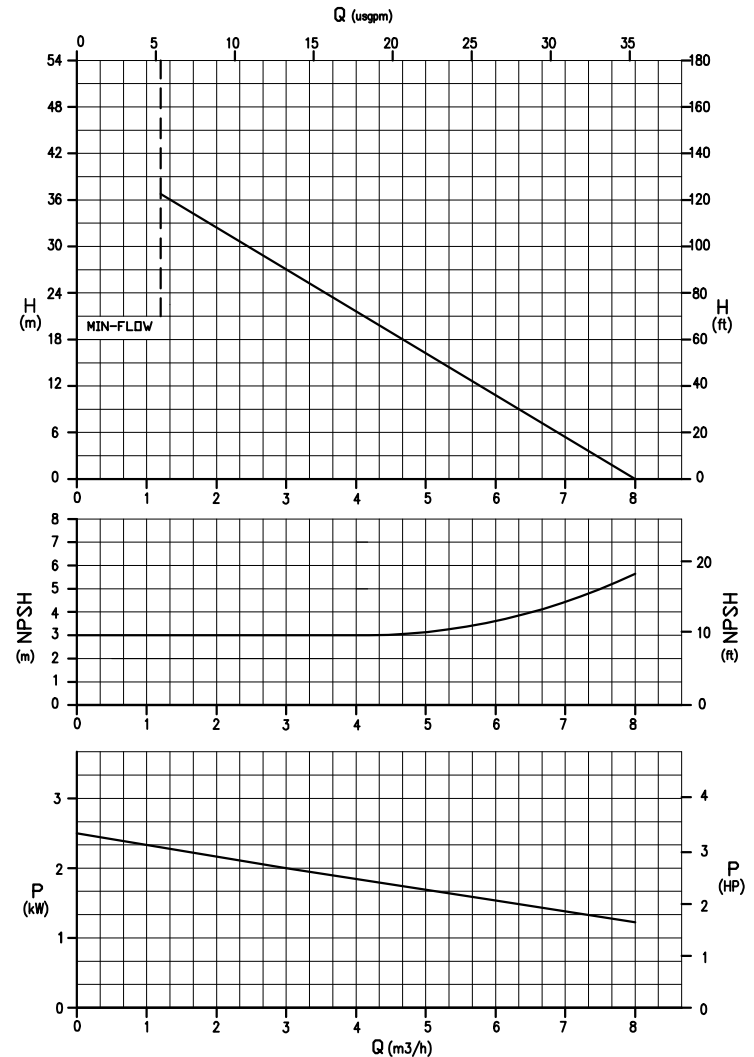
Materials available/Materiali disponibili:	PP-PVDF
Max flow/Portata massima:	8 m ³ /h
Max head/Prevalenza massima:	36 m
Max temperature/Temperatura massima:	PP 60°C/PVDF 90°C
Max viscosity/Viscosità massima:	45 cPs
Pressure rating/Pressione nominale massima:	NP/PN 6
Pump weight/Peso pompa:	PP 8 Kg. PVDF 10 Kg.

SECTION AND PARTS LIST/SEZIONE E LISTA PARTI



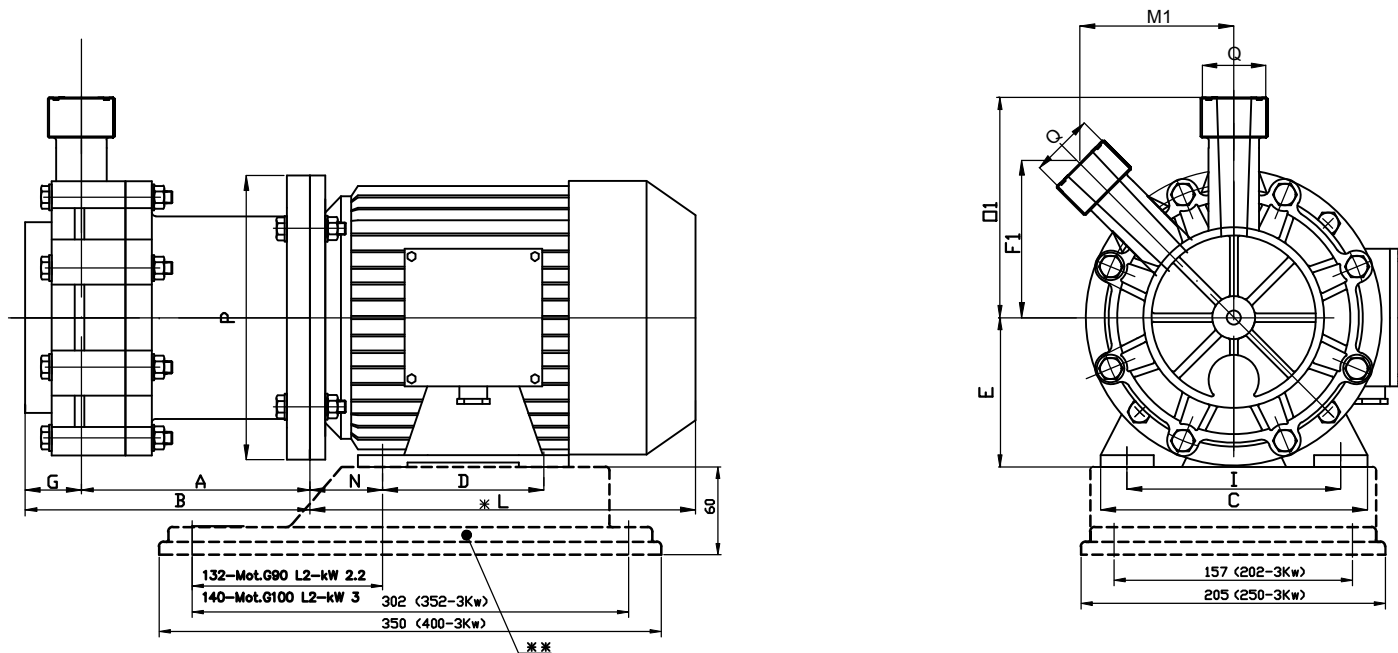
POS.	1	2	3	4	5	7	8	9	10	11	12	13
PART DESCR.	SET SCREWS	FRONT CASING	O-RING	FRONT AND REAR DISC	SHAFT + RING	IMPELLER	INT. MAGNET	BEARING	REAR CASING	EXT. MAGNET	SET SCREWS	BRACKET
MAT.	AISI304	PP+GF PVDF+CF	EPDM VITON	PP-PVDF	Al203	PVDF	PP-PVDF NdFeB	PTFEC	PP+GF PVDF+CF	C40 NdFeB	AISI304	PP

CURVES/CURVE 50HZ-2900 RPM



All data stated are an indication and are liable to change without notice / Tutti i dati sono indicativi e possono variare senza preavviso

DIMENSIONS/DIMENSIONI D'INGOMBRO

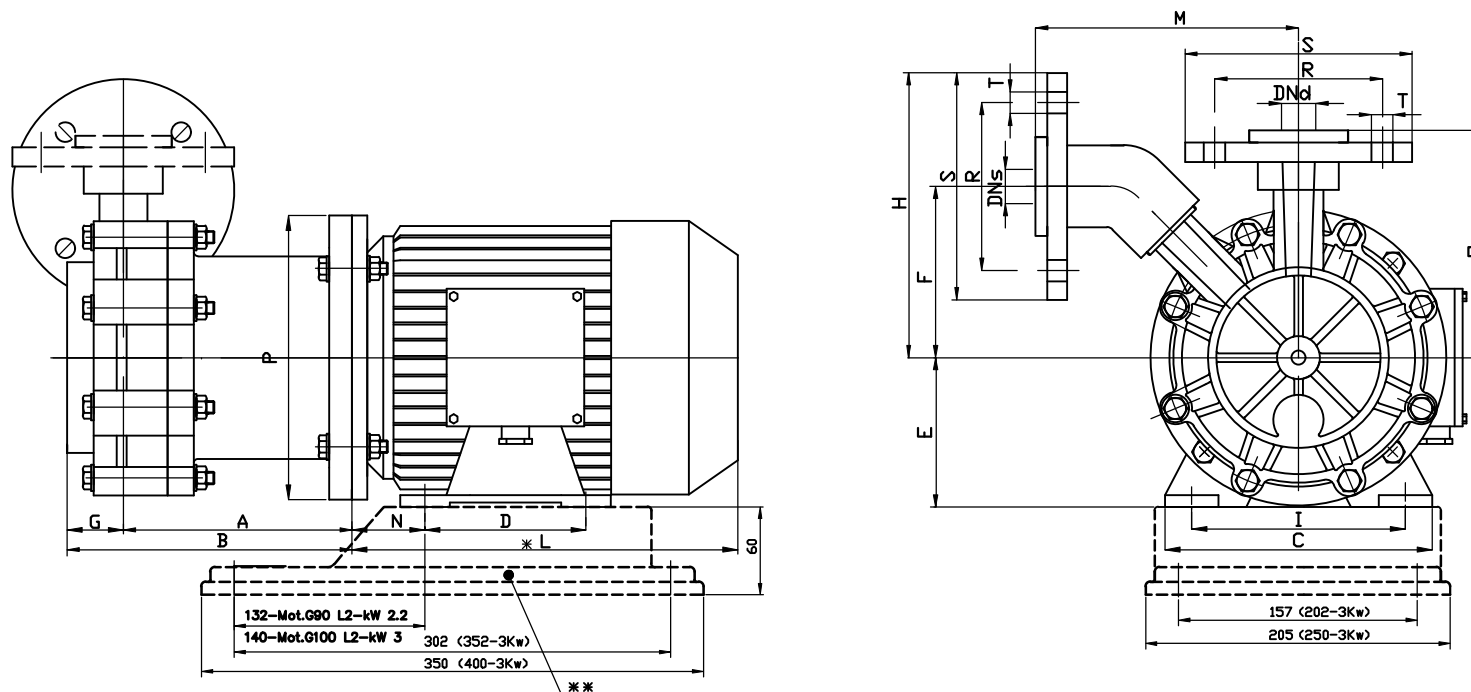


PUMP TYPE	MOTOR FLANGE B3-B5	POT. Kw	DIMENSIONS - mm -													
			A	B	C	D	E	F1	G	I	*L	M1	N	O1	P	Q
HTT 9000	G 90 L2	2.2	187	221	170	125	90	95	34	140	280	95	56	135	200	1" 1/2"G
	G 100 L2	3	207	241	200	140	100			160	316		63		250	MALE

PER CONNESSIONE RIFERIRSI AL DISEGNO 7741
FOR CONNECTION REFER TO DRAWING 7741 BELOW

* Different according to the manufacturer / Diverso a seconda del fornitore
** OPTIONAL: Baseplate/Piede d'appoggio - Flanges/Flange

DIMENSIONS WITH FLANGES/DIMENSIONI D'INGOMBRO CON FLANGE



PUMP TYPE	MOTOR FLANGE B3-B5	POT. Kw	DIMENSIONS - mm -														FLANGES ANSI/ASME B 16.5 #150 (PN10) DIMENSIONS-mm				
			A	B	C	D	E	F	G	H	I	*L	M	N	O	P	R	S	T	DNs	DNd
HTT 9000	G 90 L2	2.2	187	221	170	125	90	110	34	186	140	280	189	56	148	200	110	153	18	40	40
	G 100 L2	3	207	241	200	140	100				160	316		63							

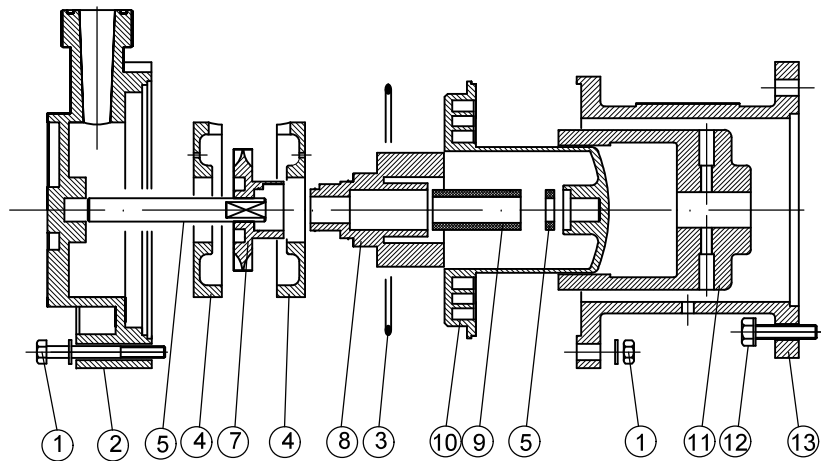
* Different according to the manufacturer / Diverso a seconda del fornitore
** OPTIONAL: Baseplate/Piede d'appoggio

PER CONNESSIONE RIFERIRSI AL DISEGNO 7741
FOR CONNECTION REFER TO DRAWING 7741 BELOW

FEATURES/CARATTERISTICHE

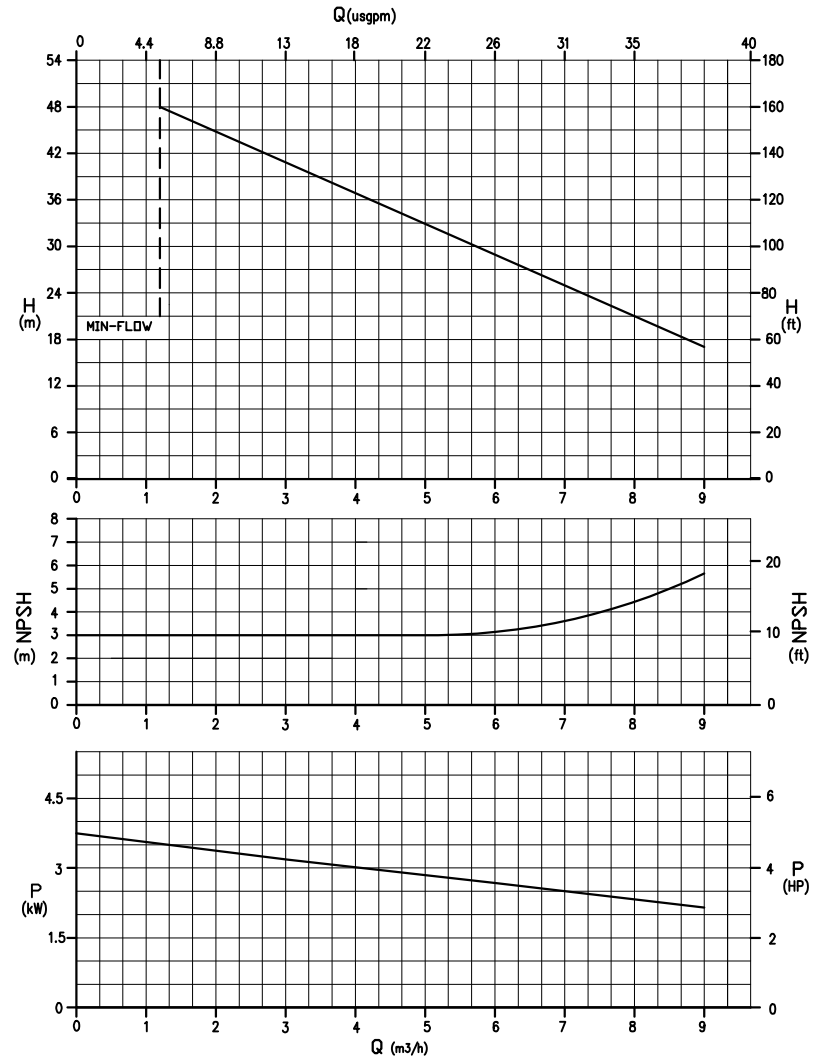
Materials available/Materiali disponibili:	PP-PVDF
Max flow/Portata massima:	9 m ³ /h
Max head/Prevalenza massima:	48 m
Max temperature/Temperatura massima:	PP 60°C/PVDF 90°C
Max viscosity/Viscosità massima:	45 cPs
Pressure rating/Pressione nominale massima:	NP/PN 6
Pump weight/Peso pompa:	PP 8 Kg. PVDF 10 Kg.

SECTION AND PARTS LIST/SEZIONE E LISTA PARTI



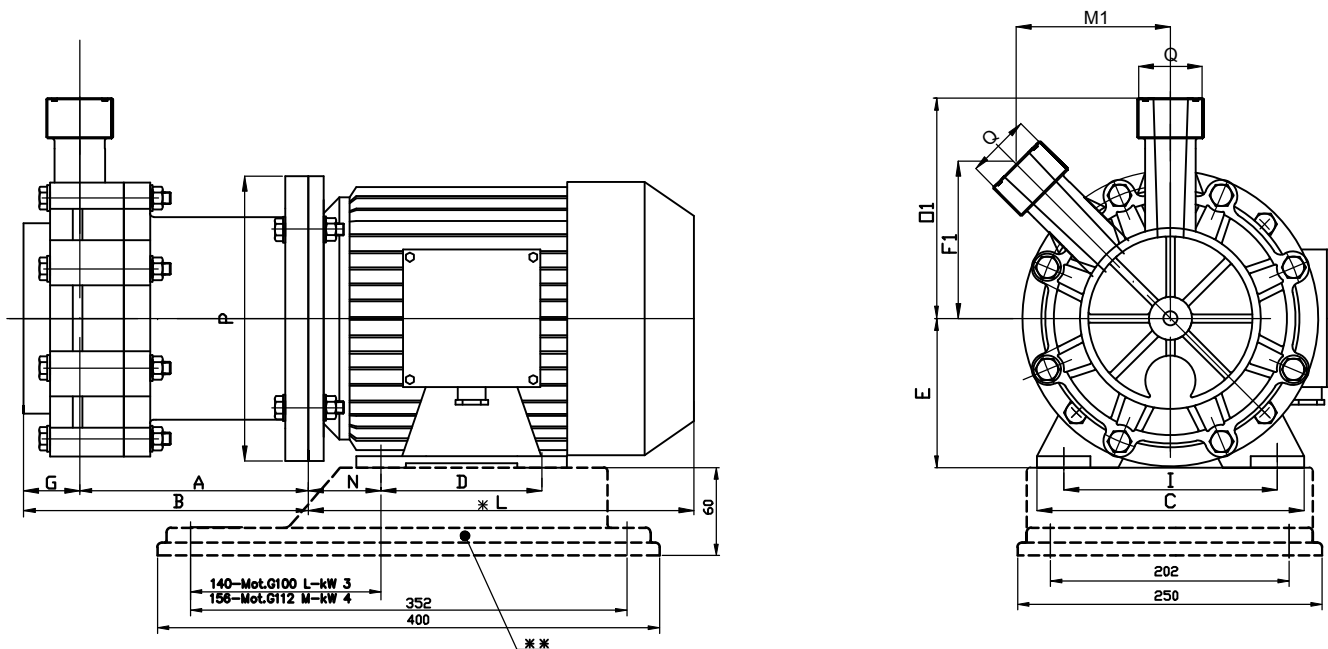
POS.	1	2	3	4	5	7	8	9	10	11	12	13
PART DESCR.	SET SCREWS	FRONT CASING	O-RING	FRONT AND REAR DISC	SHAFT + RING	IMPELLER	INT. MAGNET	BEARING	REAR CASING	EXT. MAGNET	SET SCREWS	BRACKET
MAT.	AISI304	PP+GF PVDF+CF	EPDM VITON	PP-PVDF	Al203	PVDF	PP-PVDF NdFeB	PTFEC	PP+GF PVDF+CF	C40 NdFeB	AISI304	PP

CURVES/CURVE 50HZ-2900 RPM



All data stated are an indication and are liable to change without notice / Tutti i dati sono indicativi e possono variare senza preavviso

DIMENSIONS/DIMENSIONI D'INGOMBRO

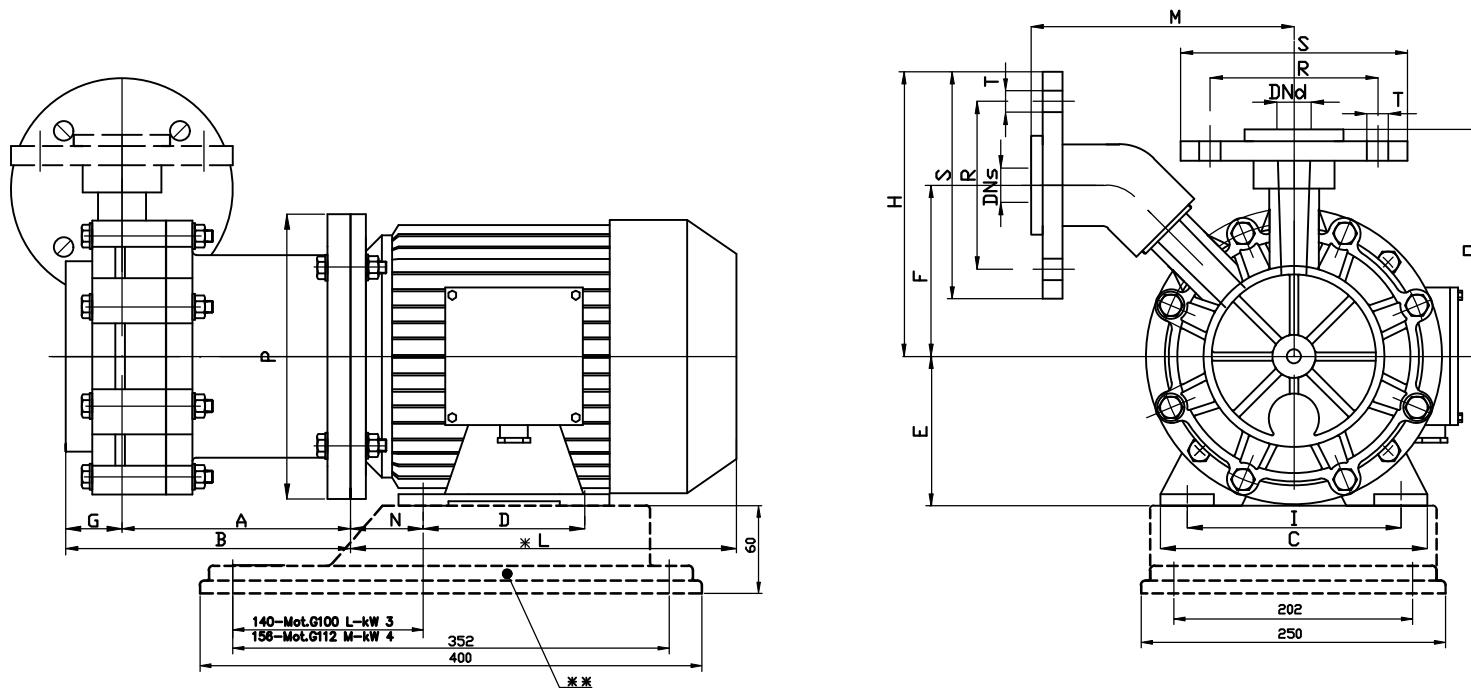


PUMP TYPE	MOTOR FLANGE B3-B5	POT. Kw	DIMENSIONS - mm -													
			A	B	C	D	E	F1	G	I	*L	M1	N	O1	P	Q
HTT 12000	G 100 L	3	207	241	200	140	100	95	34	160	316	95	63	135	250	1" 1/2"G MALE
	G 112 M	4			230		112			190	324		70			

PER CONNESSIONE RIFERIRSI AL DISEGNO 7741
FOR CONNECTION REFER TO DRAWING 7741 BELOW

* Different according to the manufacturer / Diverso a seconda del fornitore
** OPTIONAL: Baseplate/Piede d'appoggio - Flanges/Flange

DIMENSIONS WITH FLANGES/DIMENSIONI D'INGOMBRO CON FLANGE



PUMP TYPE	MOTOR FLANGE B3-B5	POT. Kw	DIMENSIONS - mm -														DIMENSIONS-mm				
			A	B	C	D	E	F	G	H	I	*L	M	N	O	P	R	S	T	DNs	DNd
HTT 12000	G 100 L	3	207	241	200	140	100	110	34	186	160	316	189	63	148	250	110	153	18	40	40
	G 112 M	4			230		112				190										

* Different according to the manufacturer / Diverso a seconda del fornitore
** OPTIONAL: Baseplate/Piede d'appoggio

PER CONNESSIONE RIFERIRSI AL DISEGNO 7741
FOR CONNECTION REFER TO DRAWING 7741 BELOW