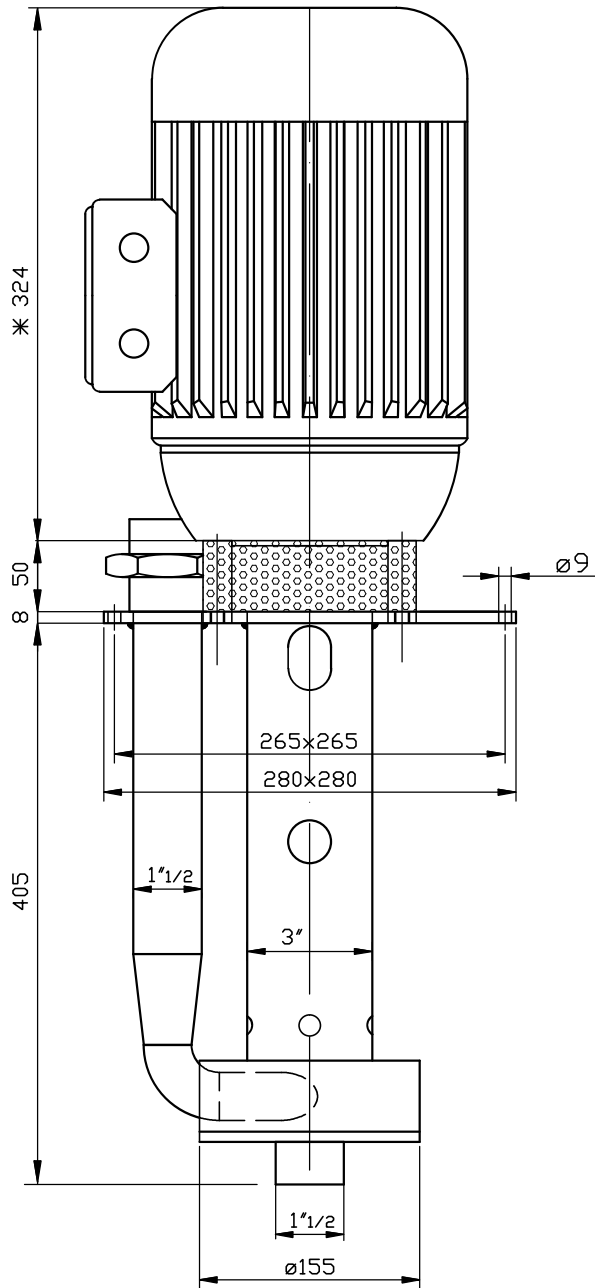
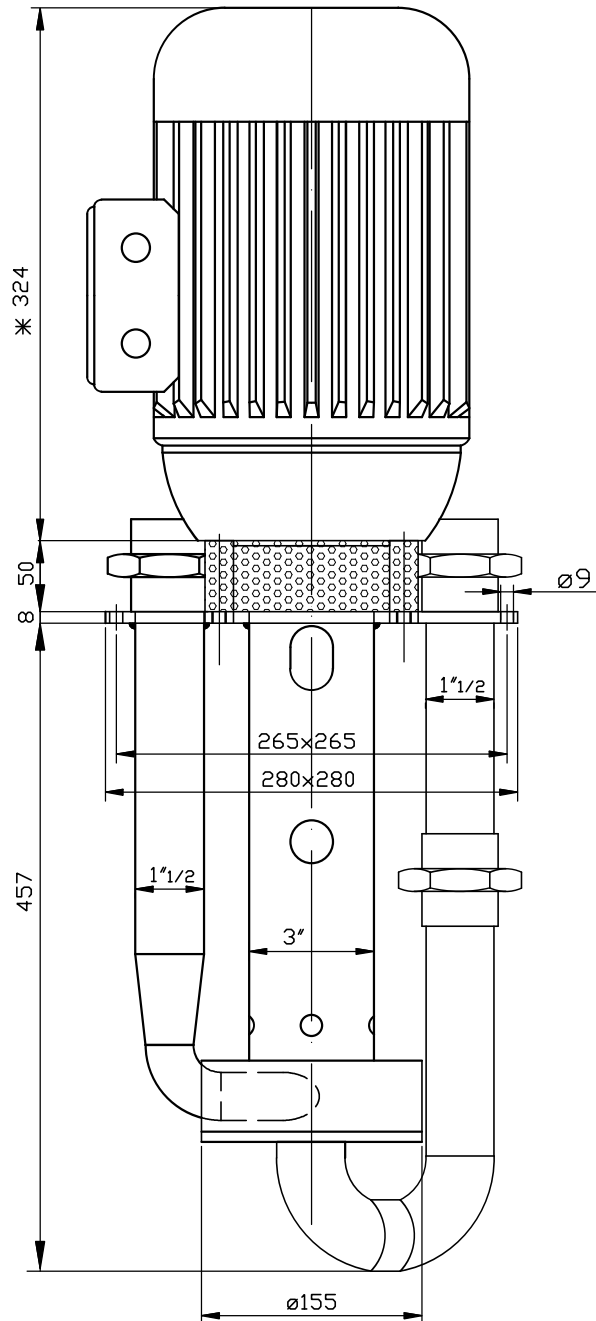


DIMENSIONS/DIMENSIONI D'INGOMBRO
MOTOR FLANGE B14 / G112 M2 kW4

PVA 1



PVA 2

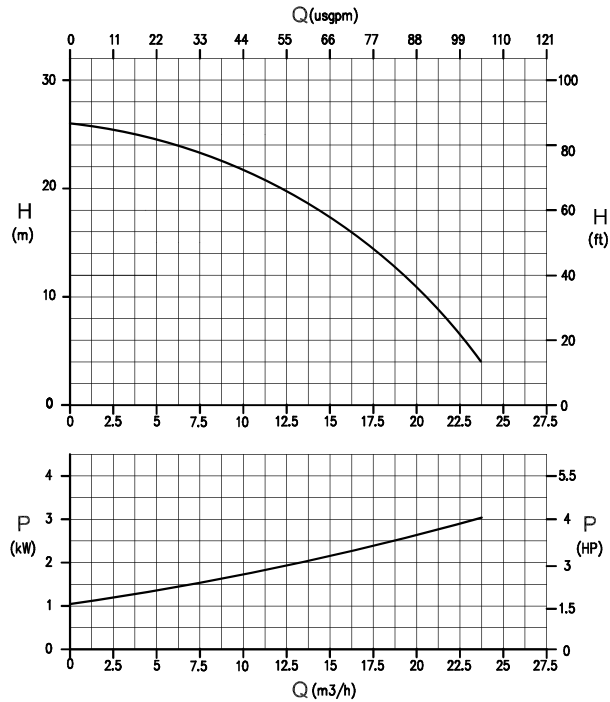


* Different according to the manufacturer / Diverso a seconda del fornitore

FEATURES/CARATTERISTICHE

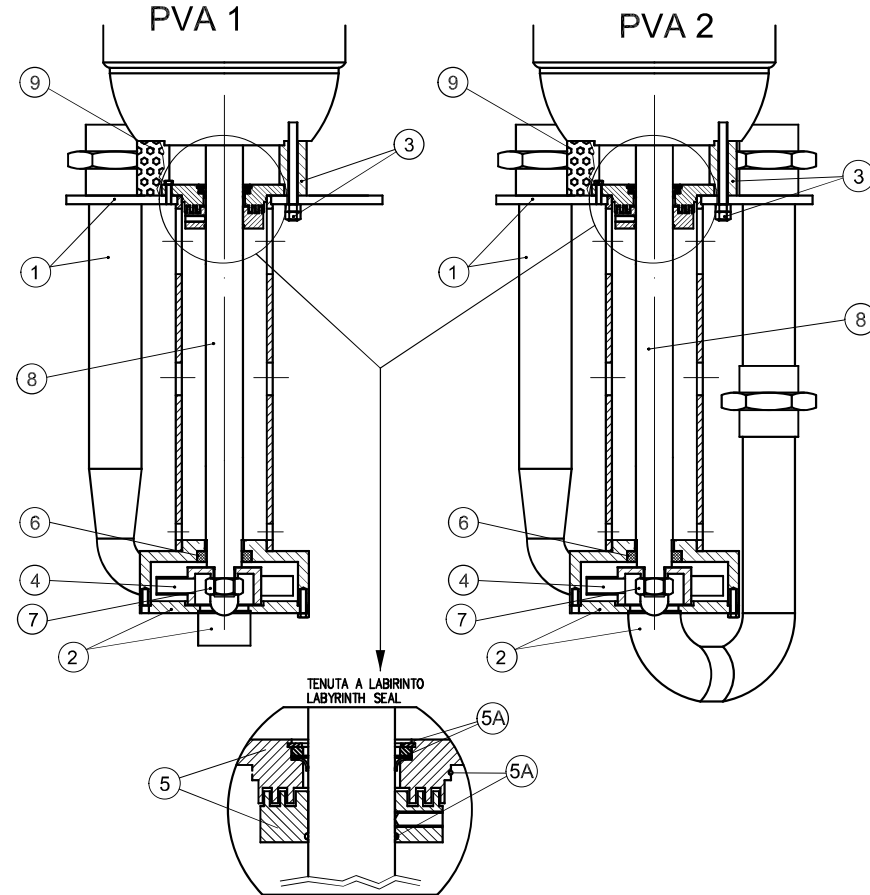
Materials available/Materiali disponibili: ASTM 316/TITANIUM
 Max flow/Portata massima: 24 m³/h
 Max head/Prevalenza massima: 26 m
 Max temperature/Temperatura massima: 90°C
 Max viscosity/Viscosità massima: 200 cSt
 Pressure rating/Pressione nominale massima: NP/PN 10 @ 20°C

CURVES/CURVE 50HZ-2900 RPM



All data stated are an indication and are liable to change without notice / Tutti i dati sono indicativi e possono variare senza preavviso

SECTION AND PARTS LIST/SEZIONE E LISTA PARTI



POS.	1	2	3	4	5	5A	6	7	8	9
PART DESCR.	PUMP COLUMN WITH PIPES	COVER WITH SUCTION PIPE	SUPPORT	IMPELLER	LABYRINTH SEAL	RINGS O-RINGS	BUSH	IMPELLER NUT	SHAFT	SHAFT GUARD
MAT.	ASTM 316	ASTM 316	ASTM 316	ASTM 316	ASTM 316	ASTM 316 VITON	TEFLON	ASTM 316	ASTM 316	ASTM 316